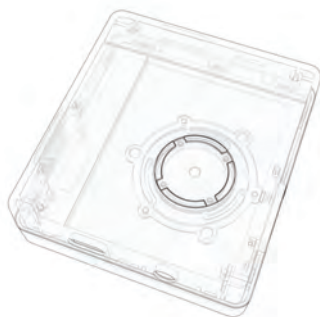


PBOX

User Guide Brief

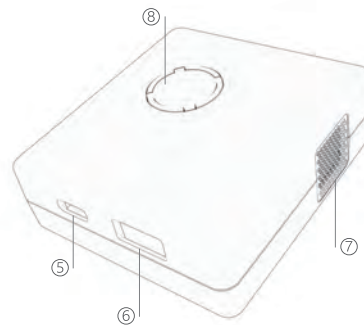
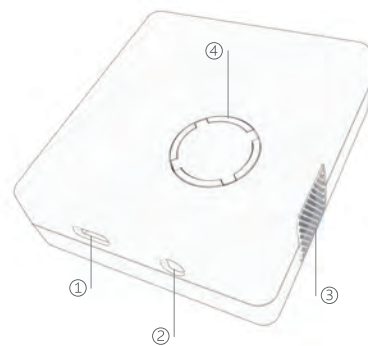


I. System Requirements

iOS	iOS7 and above, iPhone4+
Android	Android 4.2 model with 1GB RAM and above

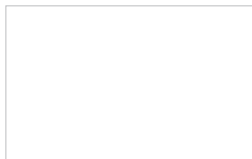
II. Product Block Diagram

- | | |
|-----------------------|----------------------|
| ① Display Interface | ⑤ Charging Interface |
| ② Headphone Interface | ⑥ USB Interface |
| ③ Air Inlet | ⑦ Air Outlet |
| ④ Power Indicator | ⑧ On/Off Button |



V. Mirroring Mode-Android

Find Smart View / Allshare, search the device, Then choose "LOLLIPOP-xxxxx".

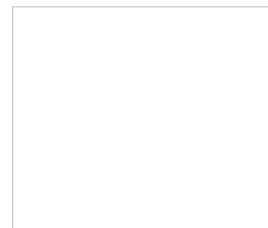


VI. WLAN Mode

- Find "LOLLIPOP-xxxxx" in your WiFi list, default password is "12345678".
- Open browser of Phone, input "192.168.49.1".
※ **Notice:** If the device is already connected to the WiFi network, the IP address will change.

- Click "WiFi AP", "Scanning" and choose available WiFi.

- Connect the Dongle with the external WiFi router, and make sure your phone connect with the same router.
- Open the music / video Apps with DLNA function, choose music or videos, and you could DLNA them to the monitor.



- Generally, TV DLNA options can be found in the upper right corner of the video Apps.
※ The device will automatically enter Mirroring Mode in the environment without WLAN.
※ The device will automatically enter WLAN Mode. In the WLAN environment that has been set up.

Exit or replace WLAN

- When the device has entered the WLAN Mode, connect the phone to the same WiFi network.
- Open browser of Phone, login IP address which is at the bottom of the monitor.
- Click "WiFi AP".
- Click "Disconnect".

III. Operating Instructions

1. Power On / Off

Power On: Long press the power on / off button^⑧ for 3 seconds, and the indicator light will be on to complete the power on.
Power Off: Long press the power on / off button^⑧ for 5 seconds, and the indicator light goes out to complete the power off.
If there is no operation, it will be shut down automatically in 5 minutes after power on.

2. Connecting Device

After power on, connect the Type-C of display to the Type-C display interface^①. After several seconds, you can see the display menu.

3. Battery Indicator

In the working state, the number of indicator lights indicates the remaining power of the battery.

VII. Oline Upgrade

Please don't do any operation on the dongle when upgrading, the dongle will proceed the whole upgrade automatically.

- Connect the external WiFi Router.
- Dongle will detect new firmware itself and download.
- It will install the new firmware itself after firmware downloading.
- Then it will turn off and reboot itself with new version of software.

※ Don't turn off the power and make sure WiFi is available.

In the charging state, the indicator lights flashes, indicating that the battery has started charging.
It supports 5V / 2A charger, you can connect charger to Type-C charging interface^⑤ for charging.

4. Wireless Mirroring

Wireless Mirroring includes two modes:

Mirroring Mode supports screen mirroring from mobile phone to device, the image content is consistent with the actual operation page of the mobile phone.

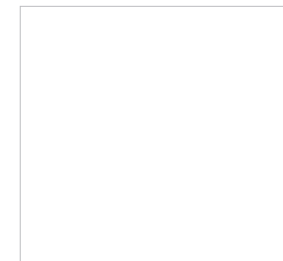
WLAN Mode supports screen mirroring from mobile phone to device, it also supports sending TV links to display, it does not affect the use of mobile phone.

※ **Notice:** iPhone will consume mobile data in Mirroring Mode, but it won't consume mobile data in WLAN Mode.

Android does not have this problem.

IV. Mirroring Mode - iOS

- Open the WiFi settings, connect the hot spot whose name is on the bottom of the monitor, default name: "LOLLIPOP-xxxxx".
- Enter the device password which is on to the bottom of the monitor, default is "12345678".



iPhone 8 and below, slide up from the bottom to enter quick settings, click Airplay, then choose "LOLLIPOP-xxxxx".

iPhone X and above, slide down from the upper right corner into quick settings, click Screen Mirroring, then choose "LOLLIPOP-xxxxx".

VIII. Safety Instruction

- This device may emit radio waves, which may interfere with the normal operation of some medical instruments, including but not limited to cardiac pacemakers, hearing aids, etc. Please consult the medical equipment manufacturer or physician before using this product.
- Please use the device in the environment of 0°C to 35°C, and store the device in the range of -20°C to 40°C.
- Do not expose the equipment to high temperature environment or around high temperature equipment. Overheated batteries can cause fire, explosion or other hazards.
- This equipment contains lithium-ion battery. Please do not disassemble or replace the battery by yourself.
- Do not disassemble, impact, squeeze, soak the battery, or discard the battery in the fire.

- Do not short circuit the interface of the product or make it contact with metal, liquid and other external conductive media.
- If the battery expands, please stop using the device immediately and contact the after-sales service.
- Please follow the relevant laws and regulations, and pay special attention to the storage and use of the equipment in the following environments:
 - It is strictly forbidden to use this equipment in the environment where flammable and explosive oil and gas or chemicals are stored (such as gas stations and chemical plants).
 - It is strictly forbidden to use the equipment in extreme weather conditions (such as thunderstorm).

- It is strictly forbidden to use the equipment while driving. This equipment may also cause interference to the electronic instruments in the vehicle.
- When flying, please follow the regulations on the use of electronic equipment of airlines.
- Avoid charging the device in high temperature and humidity environment such as bathroom.
- Please comply with all the relevant laws and regulations and actual site regulations that explicitly prohibit the use of this equipment in a specific environment.