

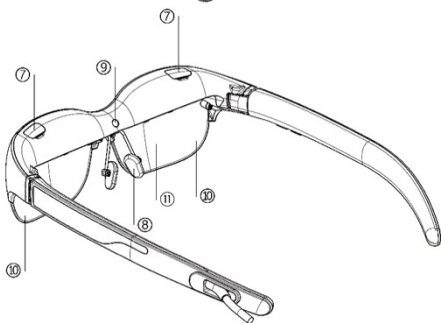
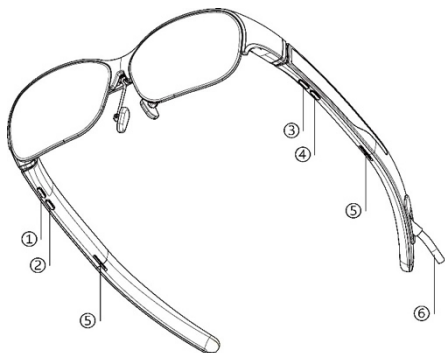


PRO 3e

User Manual

Smart Glasses

Powered by NuEyes Technology



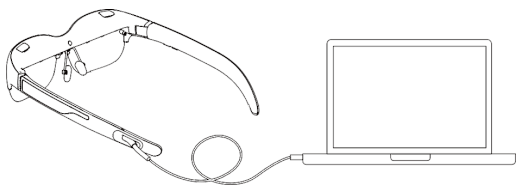
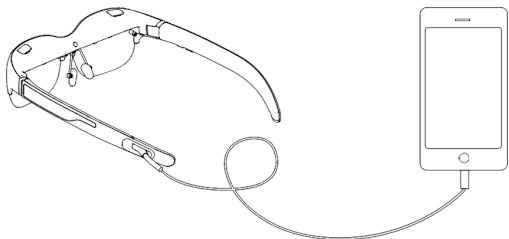
1	Volume+
2	Volume-
3	Brightness+
4	Brightness-
5	Speaker
6	Type-C cable
7	Diopter adjustment knob
8	Nasal buttress
9	Distance sensor
10	Ink lens
11	Optical module

Instructions

This product is a plug-and-play product, and the glasses do not contain batteries. Connect devices with video output through Type-C cables to achieve the effect of screen projection. Wearing method:

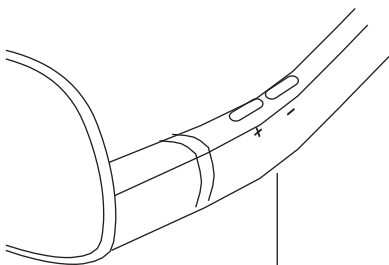
It is recommended to wear the temples from the top of the head when the temples are fully opened and place the cord behind the ears. The cable clip can be used to clamp the mobile phone data cable to the collar or other appropriate position to provide a better wearing experience.

- Open the temples outwards, please do not bend the temples forcibly.
- Wear the temples after they are fully opened to avoid pinching hands or hair during the process.

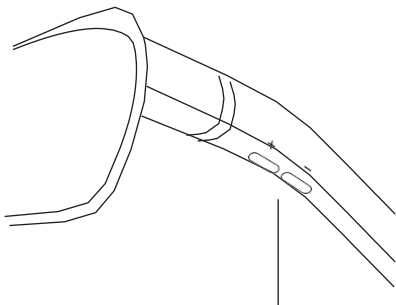


Key operation

Part name	Function Description
Volume+	Short press to increase speaker volume
Volume-	Short press to decrease speaker volume
Brightness+	Short press to increase screen brightness. Long Press pins screen to current position, allowing you to move your head to clear your view
Brightness-	Short press to decrease screen brightness. Long press to switch display 2/3D mode. (3D mode needs to watch 3D video resources with left and right split screens)



Volume



Brightness

Sleep mode

Sleep mode will turn off the screen of your Pro 3E and reduce working power.

Pro 3E sleep mode: After taking off the glasses and letting it stand for 20s, the Pro 3E will automatically enter the sleep mode (you can automatically wake up after putting on the glasses again).

Diopter adjustment

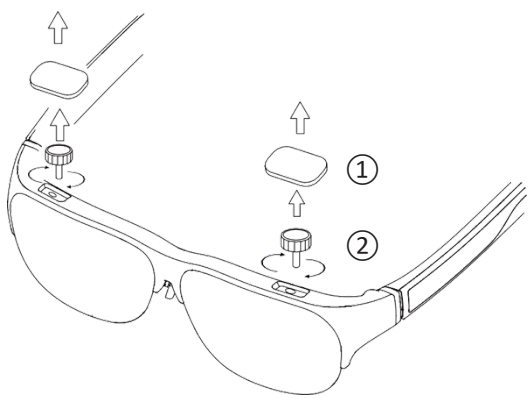
This product supports diopter adjustment from

-5D to 0D, no need to wear additional glasses for myopia.

1. Open the lid of the diopter adjustment knob.
2. Insert the screw adjustment rod included in the package into the knob.
3. Turn the screw adjustment rod to adjust to the appropriate scale.

The clockwise knob is 0D, the counterclockwise knob is -5D.

*The conversion relationship between diopter and myopia: $-1D=100$ degrees $-2D=200$ degrees and so on.



Screw adjustment lever

Precautions

Do not unplug the USB cable by pulling it.

Do not put this product in a bag or expose it to any foreign objects, so as not to exceed the load bearing limit of this product.

Recommended to keep it clean and dry.

Do not open the product shell or disassemble the product by yourself.

Do not squeeze or shake the product forcibly, and do not place it in an environment with excessive dust and large temperature or humidity changes.

Do not subject this product to strong shock or vibration.

Do not place this product in an environment where the temperature is too high or low

Do not expose this product to direct sunlight for a long time.

Do not wipe the product with corrosive cleaning agents.

When using this product to watch images, please pay attention to the surrounding environment if you are walking while walking.

If you are sensitive to light or feel nauseous, do not use this product, otherwise the existing symptoms may be exacerbated.

Before using this product, please eliminate static electricity from your body. To avoid static electricity, small metal devices (such as key), cotton wipes, etc., first touch the door, doorknob, faucet, etc. to eliminate static electricity, and then touch it with your hands.

Product hazardous substance description

Part Name	Harmful Materials					
	Lead (Pb)	Mercury (Hg)	Cadmium (Cd)	Hexavalent chromium (Cr(VI))	Poly-brominated biphenyl (PBB)	Poly-brominated diphenyl-Ether (PBDE)
Host	x	○	○	○	○	○
Cable	x	○	○	○	○	○

This form is compiled in accordance with SJ/T 11364

○: Indicates that the content of the hazardous substance in all homogeneous materials of the part is below the limit requirement of GB/T 26572.

×: Indicates that the content of the hazardous substance in at least one of the homogeneous materials of the part exceeds the limit requirement of GB/T26572, and there is no mature alternative in the industry, which meets the environmental protection requirements of the EU RoHS directive.

Warranty Description

I. Consumers, if the product has performance failures within 1 year from the date of purchase, are confirmed by the after-sales service center, and they can enjoy free repair services.

II. In one of the following situations, consumers cannot enjoy the warranty rights, and reasonable maintenance fees will be implemented.

1. Products that are damaged due to improper use by the user or exceed the warranty period shall be repaired.

3. No warranty card and valid invoice, except those that can prove that the product is within the warranty period.

4. The warranty card does not match the product model identification, or the warranty card is altered.

5. Unauthorized disassembly and repair of the product or soaking or breaking the product.

6. Damage caused by force majeure.

* Devices with Type-C interface with video output:

Phone	1. HUAWEI :	Mate10/20/30/40 , P10/20/30/40
	2. SMARTISAN :	Smartisan R2
	3. SAMSUNG :	Galaxy S10, S20, S21
	4. LENOVO :	Savior game phone
	5. OPPO :	Find X2
	6. OnePlus :	7Pro
	7. MI :	BlackShark 2
	8. ZTE :	Axon 10 pro
PC	1. APPLE :	Macbook Pro 15-inch A1990 , iPad Pro 12.9 2017
	2. LENOVO :	Legion Y7000P 2019 , ThinkPad S2 2rd gen, ThinkPad S2 3rd gen , ThinkPad S2 5rd gen
	3. ASUS :	MiniPC PN61-B ,Chrome book-CT100P ,Zenbook UX410uqk
	4. HP :	Gaming Pavilion-15-cx0100tx , ENVY-13-ad124tx

	5. Dell :	XPS15 9550
	6. HUAWEI :	Matebook 13 WRT-W19
	7. Intel :	NUC(TYPE-C with video output)
Other	1. Switch	(adapter)
	2. PBox	(Self-developed)
	3. HDMI to TypeC adapter	(Goovis)